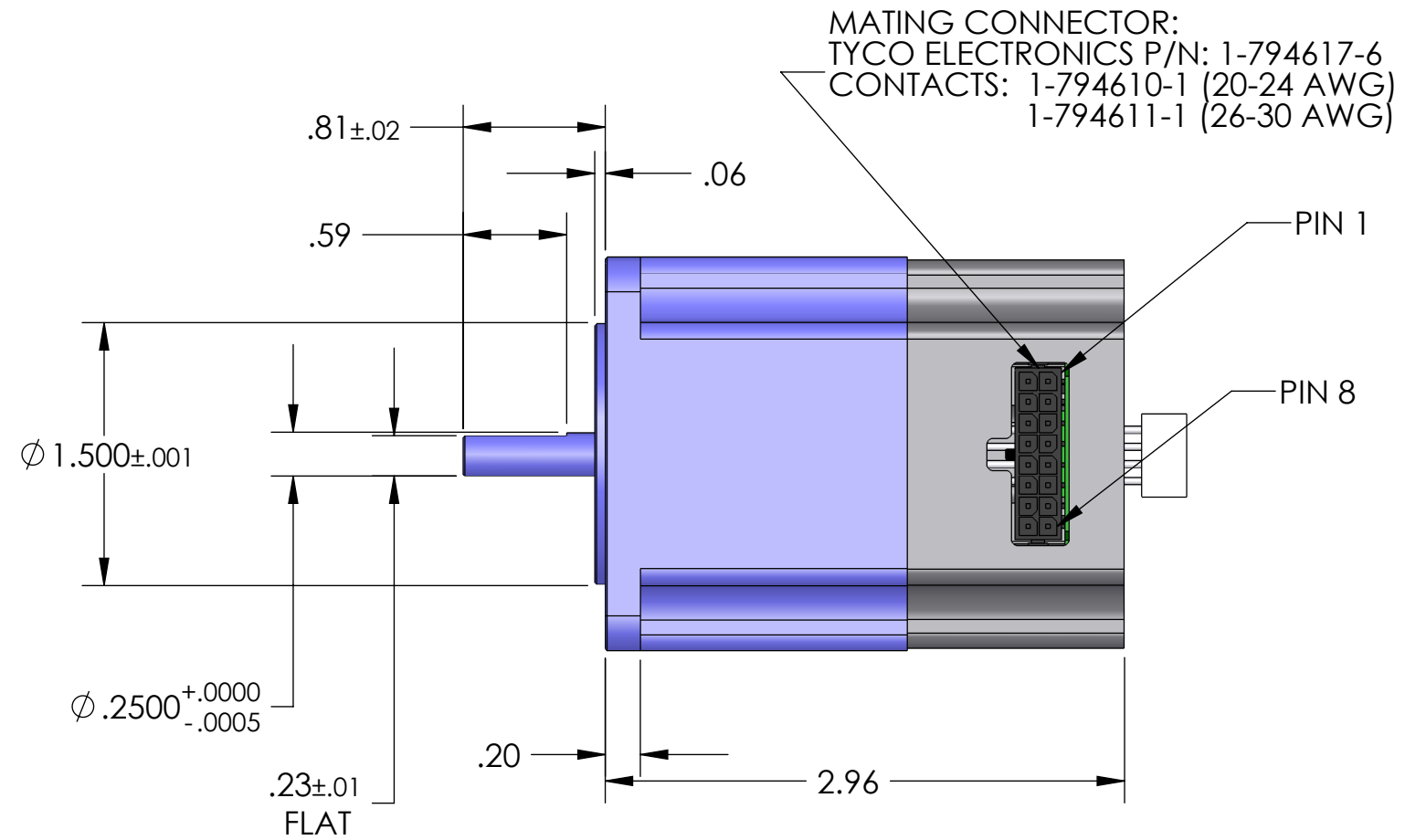
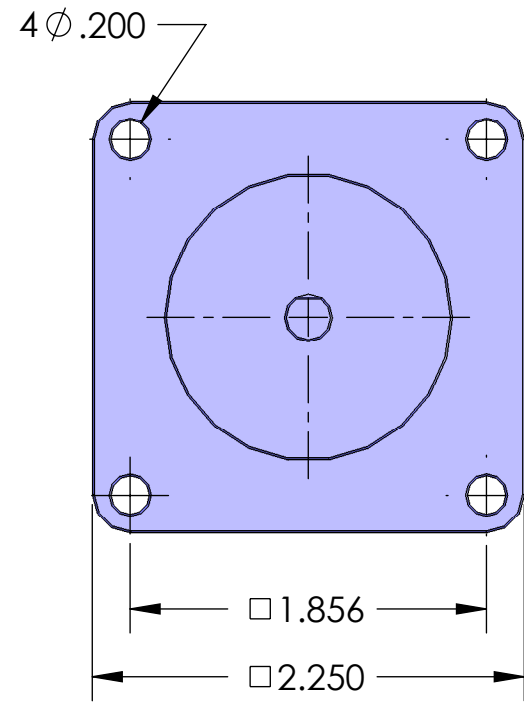


8 7 6 5 4 3 2 1

D  
C  
B  
A

D  
C  
B  
A



**PROPRIETARY AND CONFIDENTIAL**  
THE INFORMATION CONTAINED IN THIS DRAWING IS THE SOLE PROPERTY OF USAUTOMATION ANY REPRODUCTION IN PART OR AS A WHOLE WITHOUT THE WRITTEN PERMISSION OF USAUTOMATION IS PROHIBITED.

		UNLESS OTHERWISE SPECIFIED:		NAME	DATE
		DIMENSIONS ARE IN INCHES	DRAWN		
		TOLERANCES:	CHECKED		
		FRACTIONAL ± 1/32	ENG APPR.		
		ANGULAR: MACH ± .5° BEND ± 1°	MFG APPR.		
		TWO PLACE DECIMAL ± .03	Q.A.		
		THREE PLACE DECIMAL ± .005	COMMENTS:		
		INTERPRET GEOMETRIC TOLERANCING PER:			
		MATERIAL			
		FINISH			
NEXT ASSY	USED ON				
APPLICATION		DO NOT SCALE DRAWING			

23011 MOULTON PARKWAY, SUITE J2  
LAGUNA HILLS, CA 92653  
949-588-0581

TITLE:

SIZE	DWG. NO.	REV
<b>B</b>	<b>USA57-2106</b>	

SCALE: 1:1	WEIGHT:	SHEET 1 OF 1
------------	---------	--------------

8 7 6 5 4 3 2 1