

8 7 6 5 4 3 2 1

D

D

C

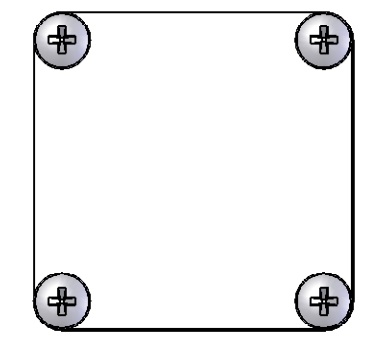
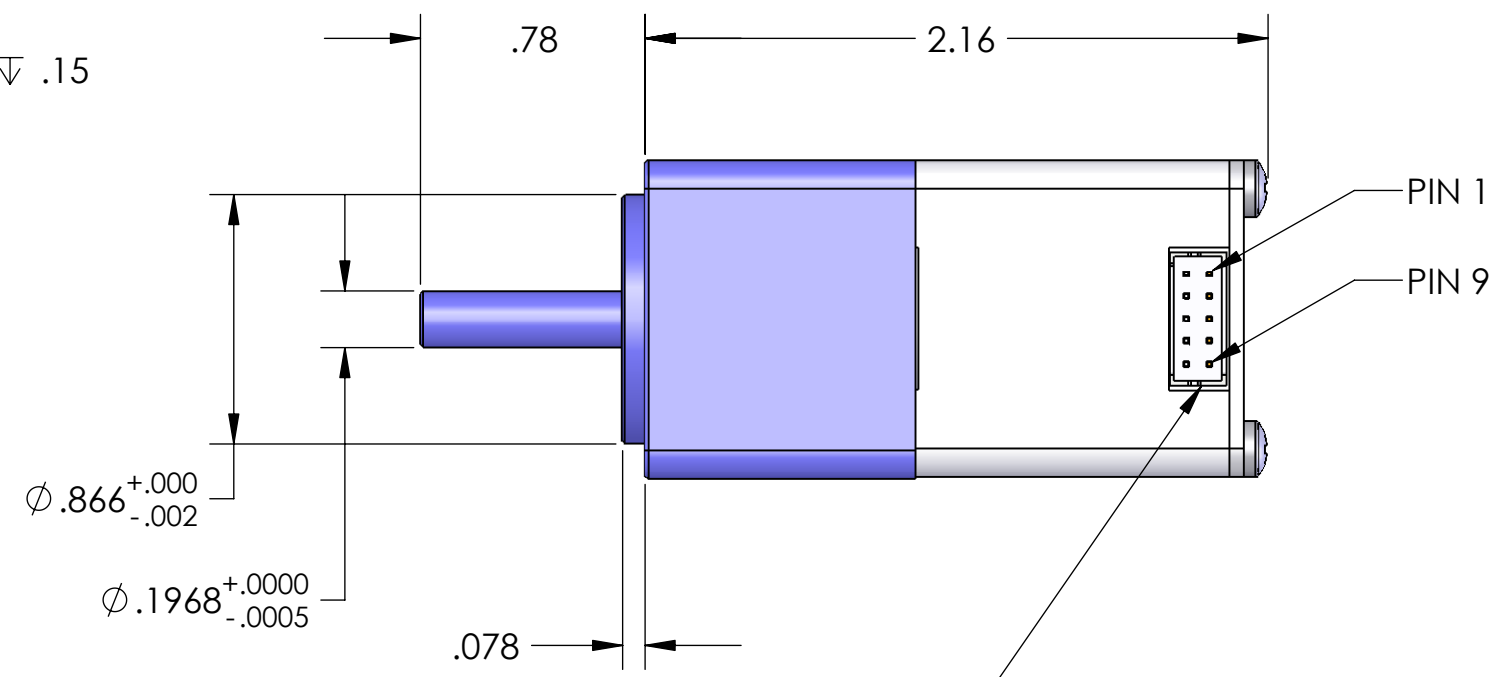
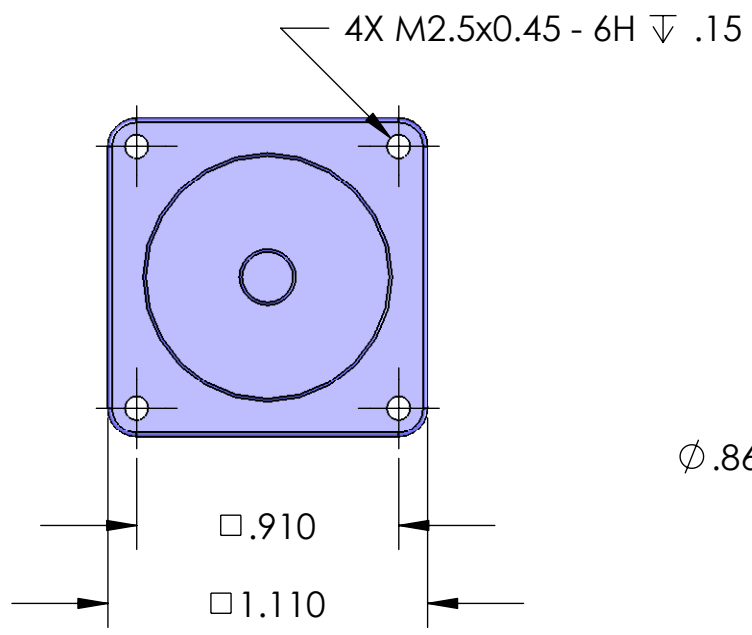
C

B

B

A

A



HIROSE CONNECTOR P/N: DF11-10DP-2DSA(24)
MATING CONNECTOR P/N: DF11-10DS-2C

| MOTOR PINOUT | |
|--------------|------------------------------|
| PIN | FUNCTION |
| 1 | +9 - +30 VDC (+V) |
| 2 | Ground (-V) |
| 3 | I/O #1 (Input 1 or Output 1) |
| 4 | Input (Input 3) |
| 5 | RS485 B |
| 6 | I/O #2 (Input 2 or Output 2) |
| 7 | RS485 A |
| 8 | Opto Sensor LED (Power OUT) |
| 9 | Input (Input 4) |
| 10 | N/C |

PROPRIETARY AND CONFIDENTIAL
THE INFORMATION CONTAINED IN THIS DRAWING IS THE SOLE PROPERTY OF USAUTOMATION ANY REPRODUCTION IN PART OR AS A WHOLE WITHOUT THE WRITTEN PERMISSION OF USAUTOMATION IS PROHIBITED.

| | | | |
|---------------------------------------|---------|---------------------------|------|
| UNLESS OTHERWISE SPECIFIED: | | NAME | DATE |
| DIMENSIONS ARE IN INCHES | | DRAWN | |
| TOLERANCES: | | CHECKED | |
| FRACTIONAL \pm 1/32 | | ENG APPR. | |
| ANGULAR: MACH \pm .5° BEND \pm 1° | | MFG APPR. | |
| TWO PLACE DECIMAL \pm .03 | | Q.A. | |
| THREE PLACE DECIMAL \pm .005 | | COMMENTS: | |
| INTERPRET GEOMETRIC TOLERANCING PER: | | BREAK ALL EDGES 0.025 MAX | |
| MATERIAL | | | |
| FINISH | | | |
| NEXT ASSY | USED ON | | |
| APPLICATION | | DO NOT SCALE DRAWING | |

USAAutomation
Solutions in Linear Motion

23011 MOULTON PARKWAY, SUITE J2
LAGUNA HILLS, CA 92653
949-588-0581

TITLE: **USA28-2102-X**

| | | |
|---------------|----------|-----|
| SIZE B | DWG. NO. | REV |
|---------------|----------|-----|

SCALE: 3:2 WEIGHT: SHEET 1 OF 1

8 7 6 5 4 3 2 1