

8 7 6 5 4 3 2 1

D

D

C

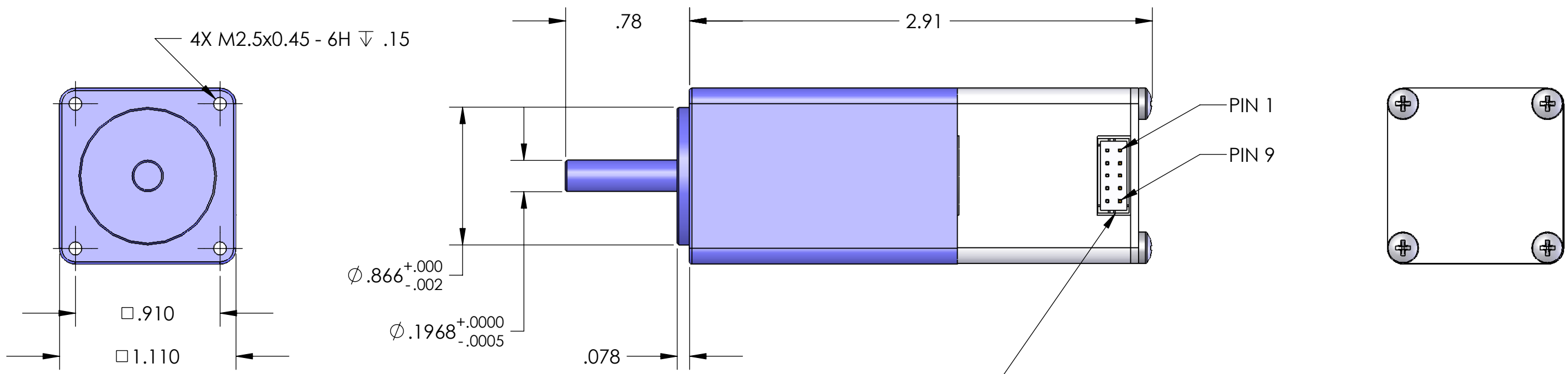
C

B

B

A

A



HIROSE CONNECTOR P/N: DF11-10DP-2DSA(24)
MATING CONNECTOR P/N: DF11-10DS-2C

MOTOR PINOUT	
PIN	FUNCTION
1	+9 - +30 VDC (+V)
2	Ground (-V)
3	I/O #1 (Input 1 or Output 1)
4	Input (Input 3)
5	RS485 B
6	I/O #2 (Input 2 or Output 2)
7	RS485 A
8	Opto Sensor LED (Power OUT)
9	Input (Input 4)
10	N/C

PROPRIETARY AND CONFIDENTIAL
THE INFORMATION CONTAINED IN THIS DRAWING IS THE SOLE PROPERTY OF USAUTOMATION ANY REPRODUCTION IN PART OR AS A WHOLE WITHOUT THE WRITTEN PERMISSION OF USAUTOMATION IS PROHIBITED.

		UNLESS OTHERWISE SPECIFIED:	NAME	DATE	<p>23011 MOULTON PARKWAY, SUITE J2 LAGUNA HILLS, CA 92653 949-588-0581</p>
		DIMENSIONS ARE IN INCHES TOLERANCES: FRACTIONAL $\pm 1/32$ ANGULAR: MACH $\pm .5^\circ$ BEND $\pm 1^\circ$ TWO PLACE DECIMAL $\pm .03$ THREE PLACE DECIMAL $\pm .005$	DRAWN		
		INTERPRET GEOMETRIC TOLERANCING PER:	CHECKED		
		MATERIAL	ENG APPR.		
NEXT ASSY	USED ON	FINISH	MFG APPR.		TITLE: USA28-2302-X
APPLICATION		DO NOT SCALE DRAWING	Q.A.		
			COMMENTS: BREAK ALL EDGES 0.025 MAX		SCALE: 3:2 WEIGHT: SHEET 1 OF 1