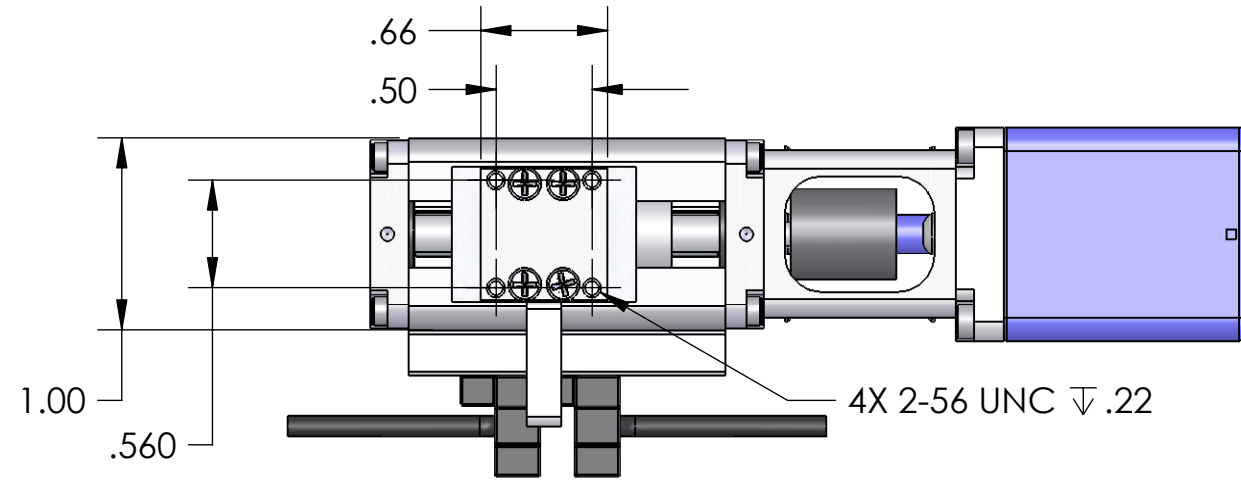


8 7 6 5 4 3 2 1

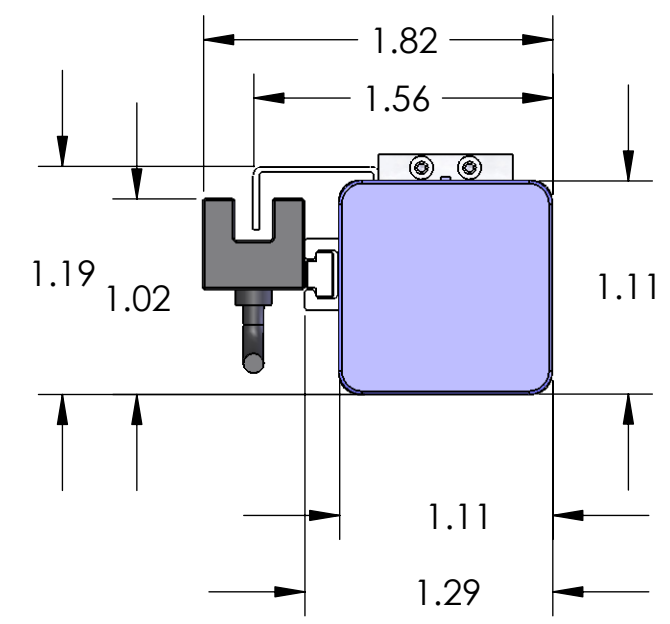
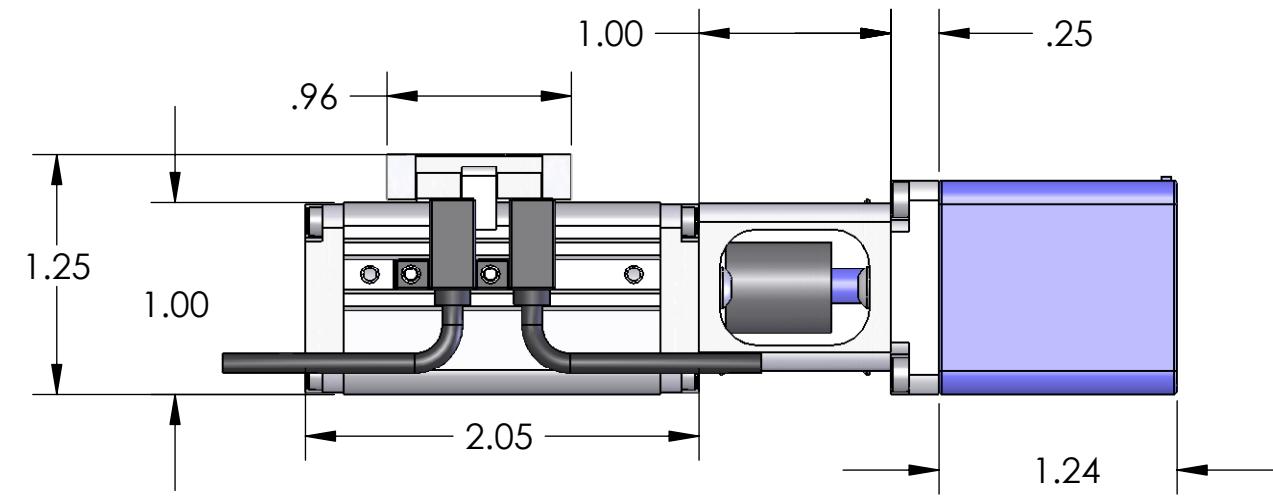
D

D



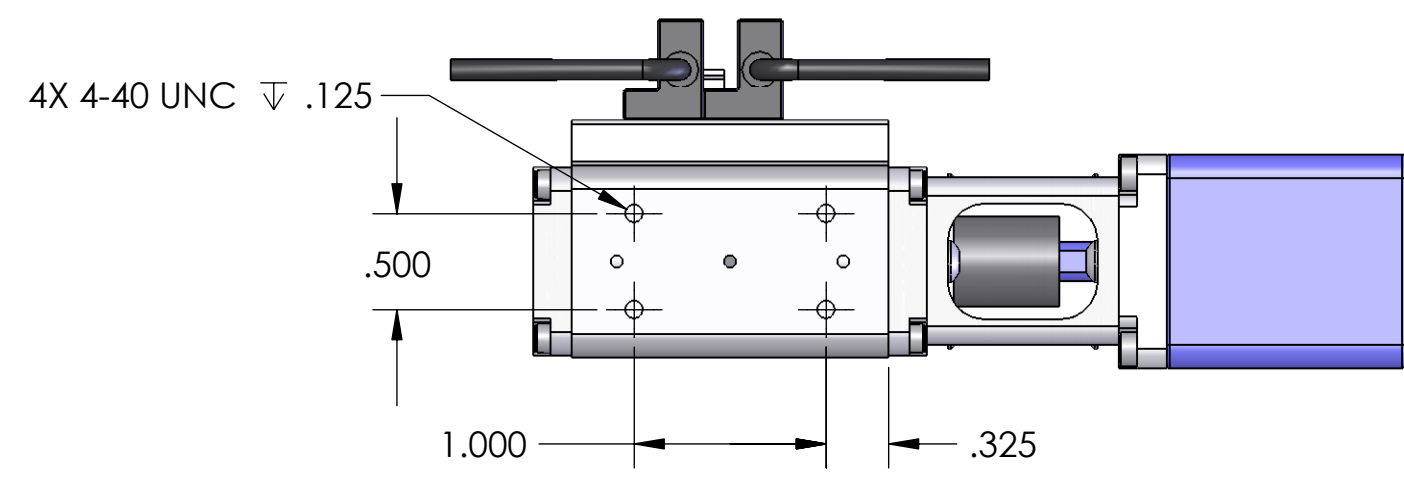
C

C



B

B




A

A

PROPRIETARY AND CONFIDENTIAL
 THE INFORMATION CONTAINED IN THIS DRAWING IS THE SOLE PROPERTY OF USAUTOMATION ANY REPRODUCTION IN PART OR AS A WHOLE WITHOUT THE WRITTEN PERMISSION OF USAUTOMATION IS PROHIBITED.

		UNLESS OTHERWISE SPECIFIED:		NAME	DATE
		DIMENSIONS ARE IN INCHES		DRAWN	
		TOLERANCES:		CHECKED	
		FRACTIONAL ±1/32		ENG APPR.	
		ANGULAR: MACH ±.5° BEND ±1°		MFG APPR.	
		TWO PLACE DECIMAL ±.03		Q.A.	
		THREE PLACE DECIMAL ±.005		COMMENTS:	
		INTERPRET GEOMETRIC TOLERANCING PER:			
		MATERIAL			
		FINISH			
NEXT ASSY	USED ON				
APPLICATION		DO NOT SCALE DRAWING			



23011 MOULTON PARKWAY, SUITE J2
 LAGUNA HILLS, CA 92653
 949-588-0581

TITLE: **USM28-010-NS-1**

SIZE B	DWG. NO.	REV
-------------------------	----------	-----

SCALE: 1:1 WEIGHT: SHEET 1 OF 1

8 7 6 5 4 3 2 1