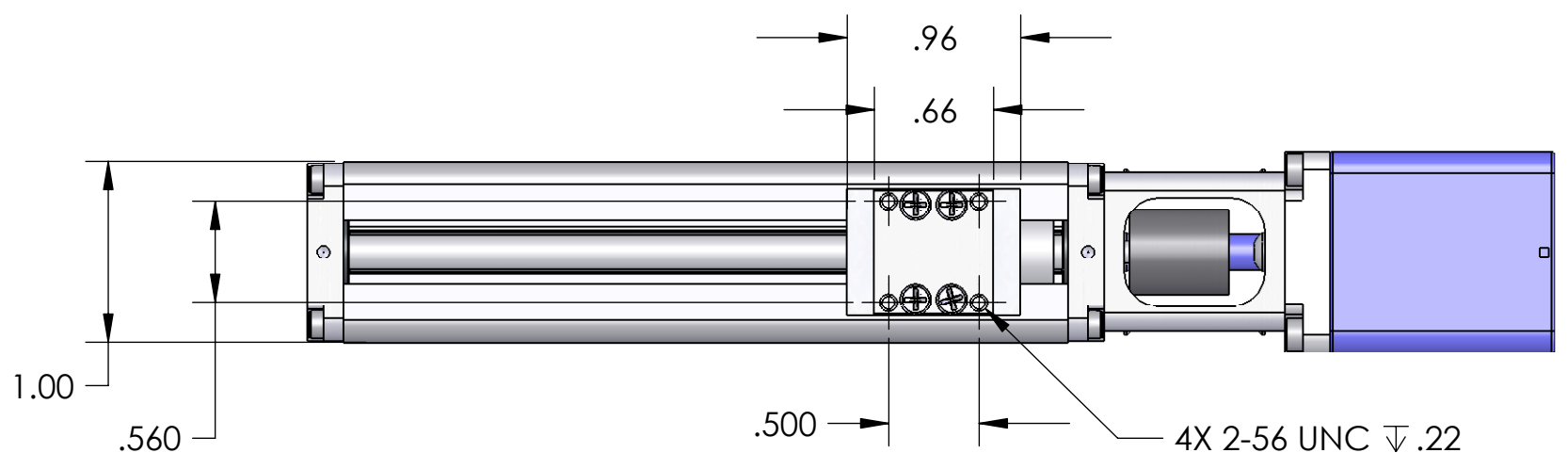


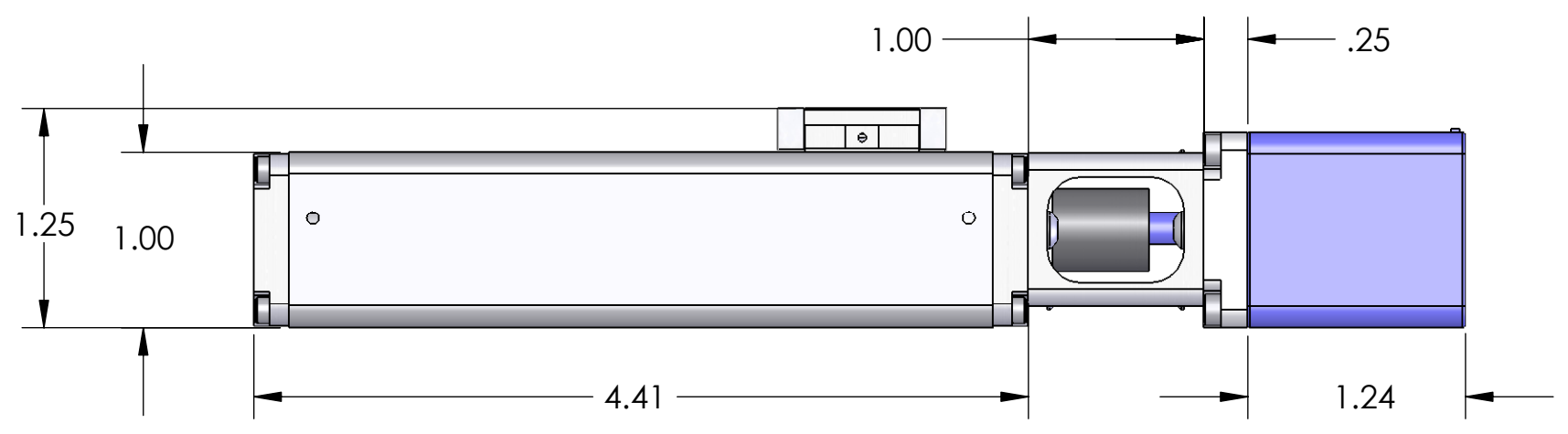
8 7 6 5 4 3 2 1

D

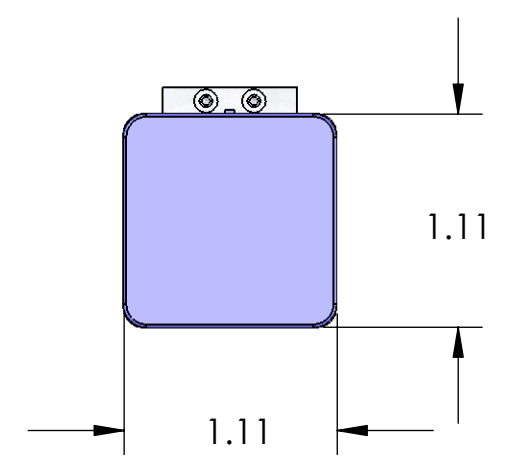


D

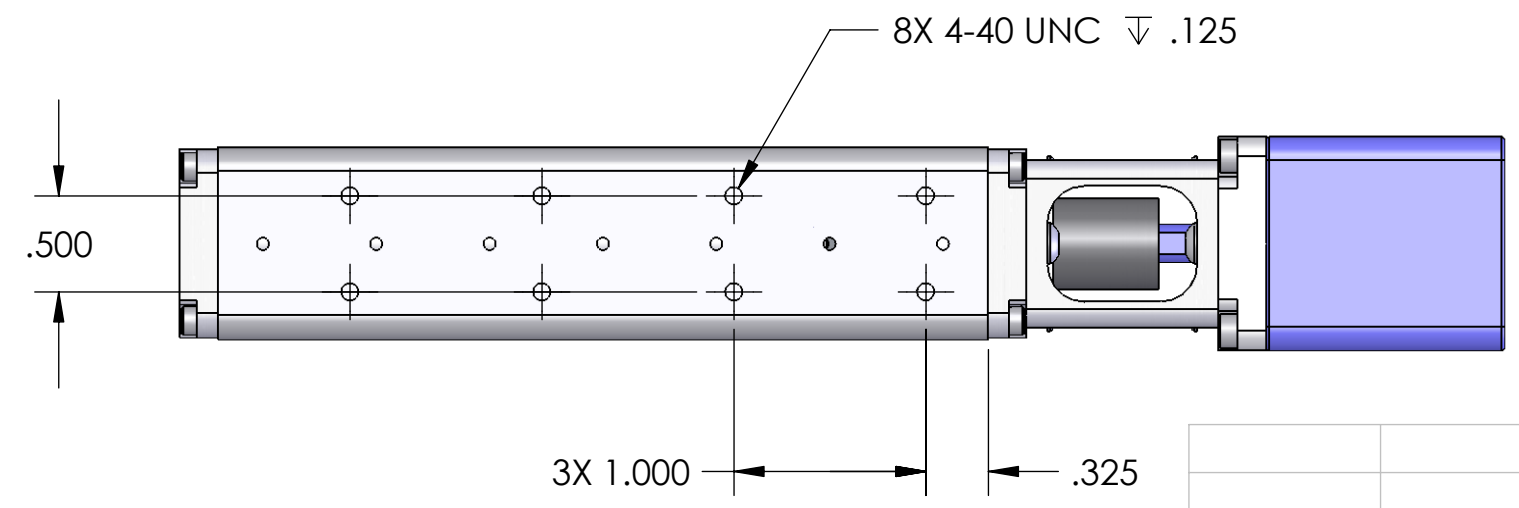
C



C



B



B

A

8 7 6 5 4 3 2 1

PROPRIETARY AND CONFIDENTIAL
 THE INFORMATION CONTAINED IN THIS DRAWING IS THE SOLE PROPERTY OF USAUTOMATION ANY REPRODUCTION IN PART OR AS A WHOLE WITHOUT THE WRITTEN PERMISSION OF USAUTOMATION IS PROHIBITED.

| | | | | | |
|---|----------|--------------------------------------|--|--------------|------|
| | | UNLESS OTHERWISE SPECIFIED: | | NAME | DATE |
| | | DIMENSIONS ARE IN INCHES | | DRAWN | |
| | | TOLERANCES: | | CHECKED | |
| | | FRACTIONAL ± 1/32 | | ENG APPR. | |
| | | ANGULAR: MACH ± .5° BEND ± 1° | | MFG APPR. | |
| | | TWO PLACE DECIMAL ± .03 | | Q.A. | |
| | | THREE PLACE DECIMAL ± .005 | | COMMENTS: | |
| | | INTERPRET GEOMETRIC TOLERANCING PER: | | | |
| | | MATERIAL | | | |
| | | FINISH | | | |
| NEXT ASSY | USED ON | | | | |
| APPLICATION | | DO NOT SCALE DRAWING | | | |
| 23011 MOULTON PARKWAY, SUITE J2 LAGUNA HILLS, CA 92653 949-588-0581 | | | | | |
| TITLE: USM28-070-NS-0 | | | | | |
| SIZE B | DWG. NO. | | | REV | |
| SCALE: 1:1 | | WEIGHT: | | SHEET 1 OF 1 | |