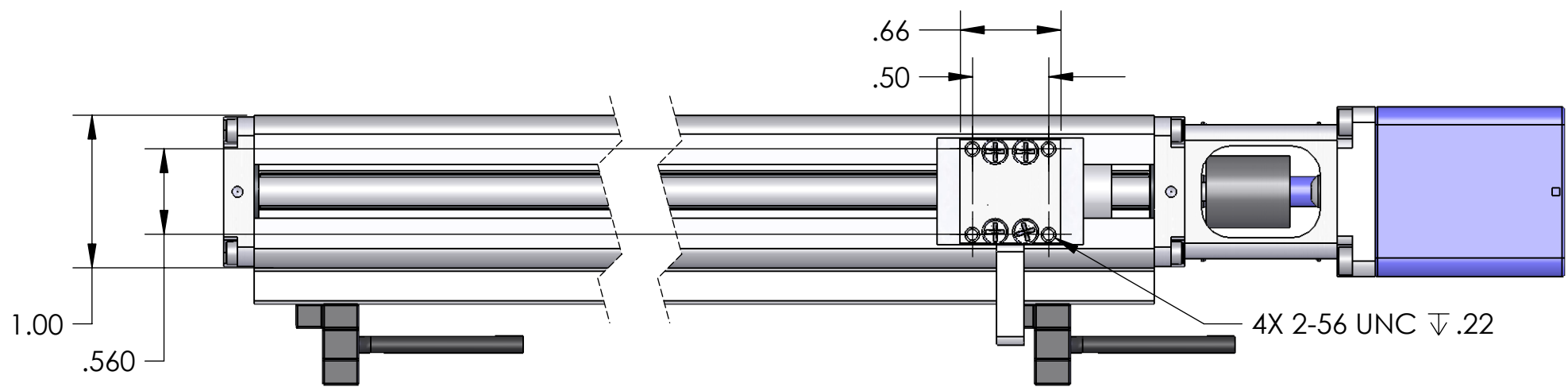


8 7 6 5 4 3 2 1

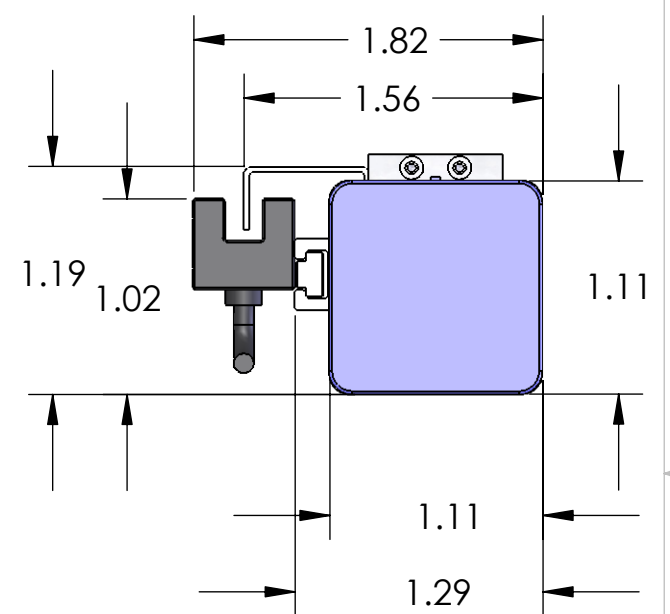
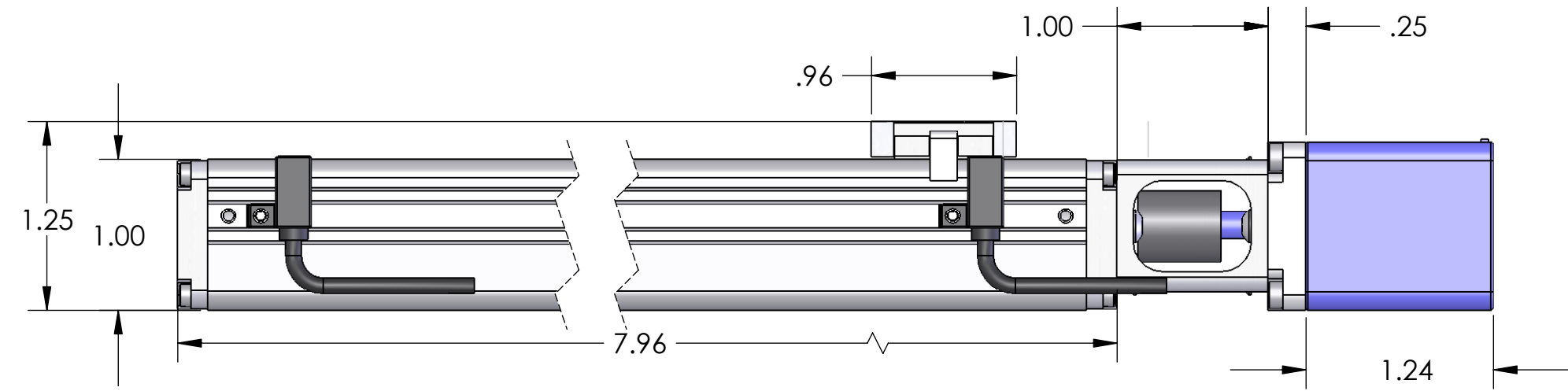
D

D



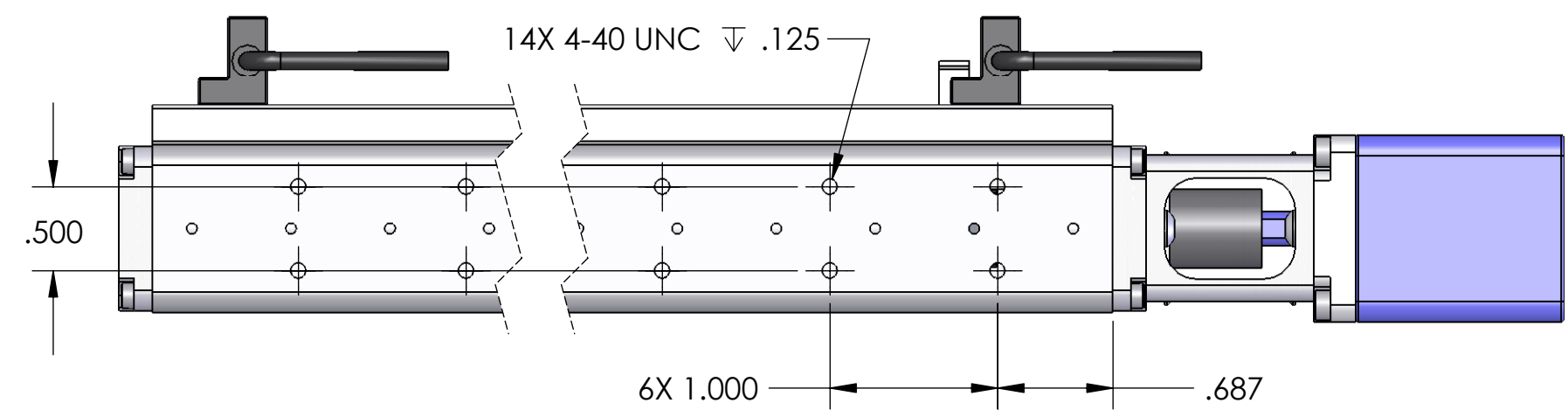
C

C



B

B



A

A

PROPRIETARY AND CONFIDENTIAL
 THE INFORMATION CONTAINED IN THIS DRAWING IS THE SOLE PROPERTY OF USAUTOMATION ANY REPRODUCTION IN PART OR AS A WHOLE WITHOUT THE WRITTEN PERMISSION OF USAUTOMATION IS PROHIBITED.

| | | | | | |
|-------------|---------|--------------------------------------|--|-----------|------|
| | | UNLESS OTHERWISE SPECIFIED: | | NAME | DATE |
| | | DIMENSIONS ARE IN INCHES | | DRAWN | |
| | | TOLERANCES: | | CHECKED | |
| | | FRACTIONAL ±1/32 | | ENG APPR. | |
| | | ANGULAR: MACH ±.5° BEND ±1° | | MFG APPR. | |
| | | TWO PLACE DECIMAL ±.03 | | Q.A. | |
| | | THREE PLACE DECIMAL ±.005 | | COMMENTS: | |
| | | INTERPRET GEOMETRIC TOLERANCING PER: | | | |
| | | MATERIAL | | | |
| | | FINISH | | | |
| NEXT ASSY | USED ON | DO NOT SCALE DRAWING | | | |
| APPLICATION | | | | | |

USAAutomation
 Solutions in Linear Motion

23011 MOULTON PARKWAY, SUITE J2
 LAGUNA HILLS, CA 92653
 949-588-0581

TITLE: **USM28-160-NS-1**

SIZE **B** DWG. NO. REV

SCALE: 1:1 WEIGHT: SHEET 1 OF 1

8 7 6 5 4 3 2 1