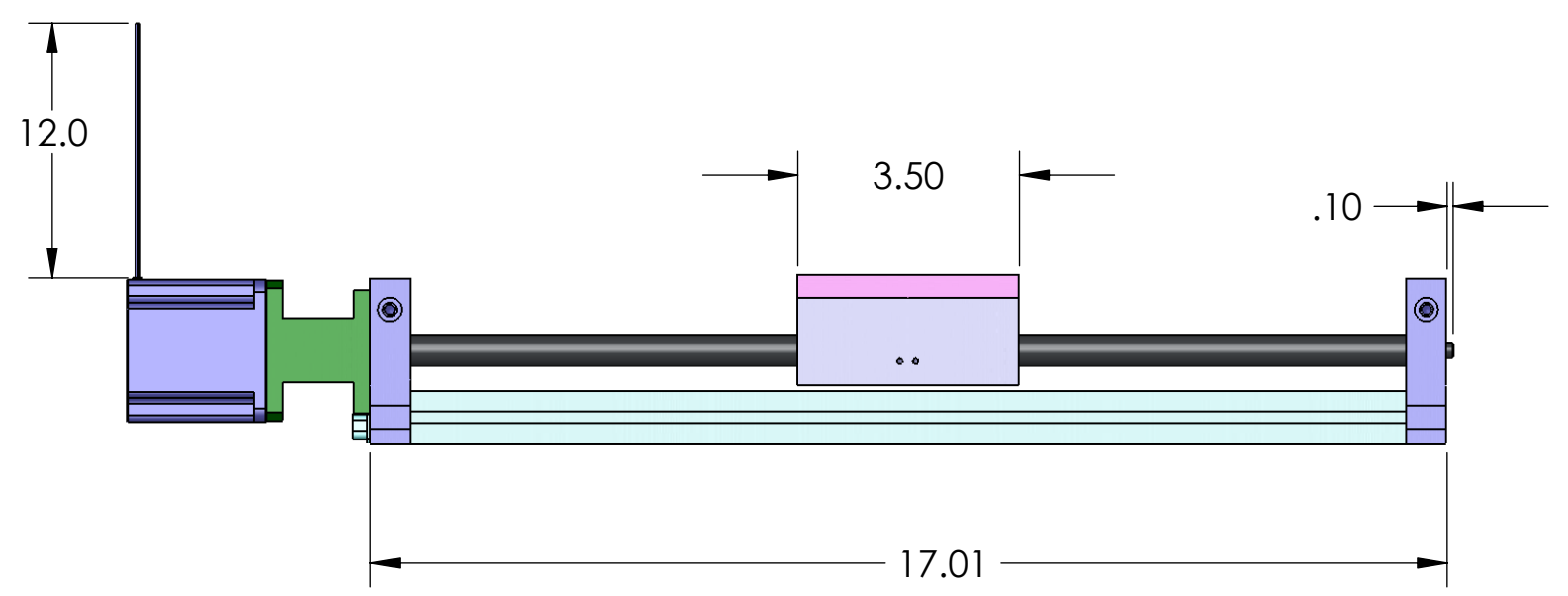
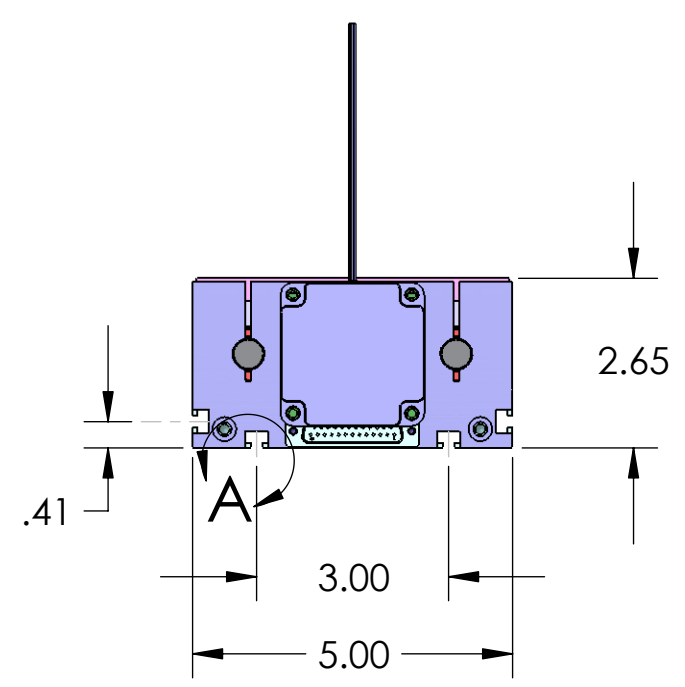
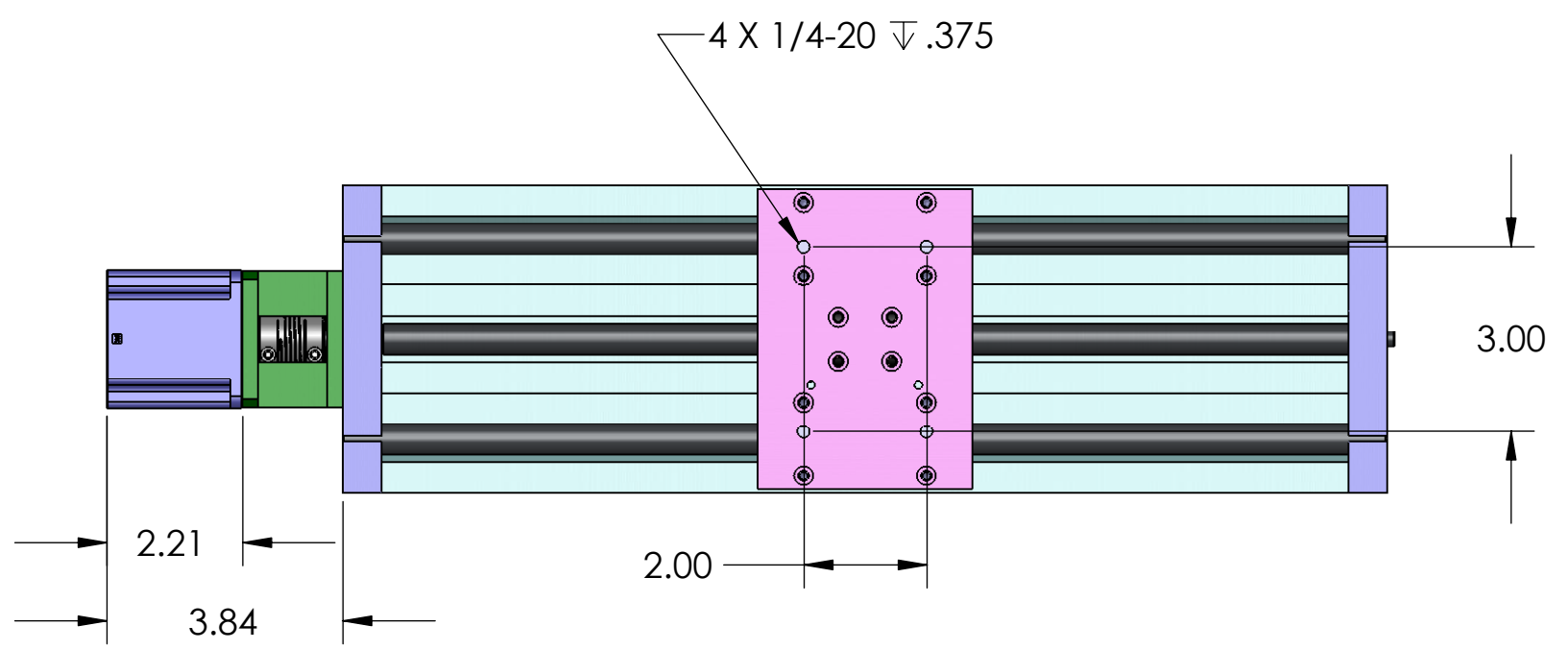
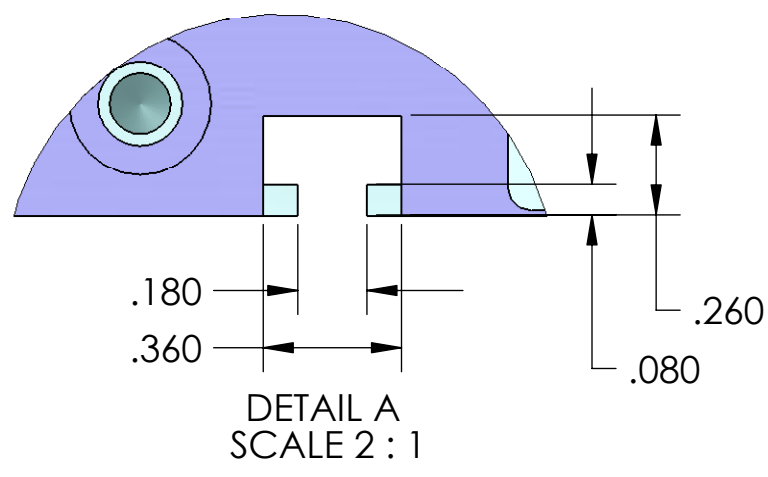


8 7 6 5 4 3 2 1



**PROPRIETARY AND CONFIDENTIAL**  
THE INFORMATION CONTAINED IN THIS DRAWING IS THE SOLE PROPERTY OF USAUTOMATION ANY REPRODUCTION IN PART OR AS A WHOLE WITHOUT THE WRITTEN PERMISSION OF USAUTOMATION IS PROHIBITED.

		UNLESS OTHERWISE SPECIFIED:		NAME		DATE	
		DIMENSIONS ARE IN INCHES		DRAWN			
		TOLERANCES:		CHECKED			
		FRACTIONAL $\pm 1/32$		ENG APPR.			
		ANGULAR: MACH $\pm .5^\circ$ BEND $\pm 1^\circ$		MFG APPR.			
		TWO PLACE DECIMAL $\pm .03$		Q.A.			
		THREE PLACE DECIMAL $\pm .005$		COMMENTS:		BREAK ALL EDGES 0.025 MAX	
		INTERPRET GEOMETRIC TOLERANCING PER:		MATERIAL		TITLE: UST80XXZ-12-S-0	
		FINISH		APPLICATION		SIZE <b>B</b>	
NEXT ASSY		USED ON		DO NOT SCALE DRAWING		DWG. NO.	
						REV	
						SCALE: 1:3	
						WEIGHT:	
						SHEET 1 OF 1	

**USAutomation**  
Solutions in Linear Motion  
23011 MOULTON PARKWAY, SUITE J2  
LAGUNA HILLS, CA 92653  
949-588-0581

8 7 6 5 4 3 2 1