

8 7 6 5 4 3 2 1

D

D

C

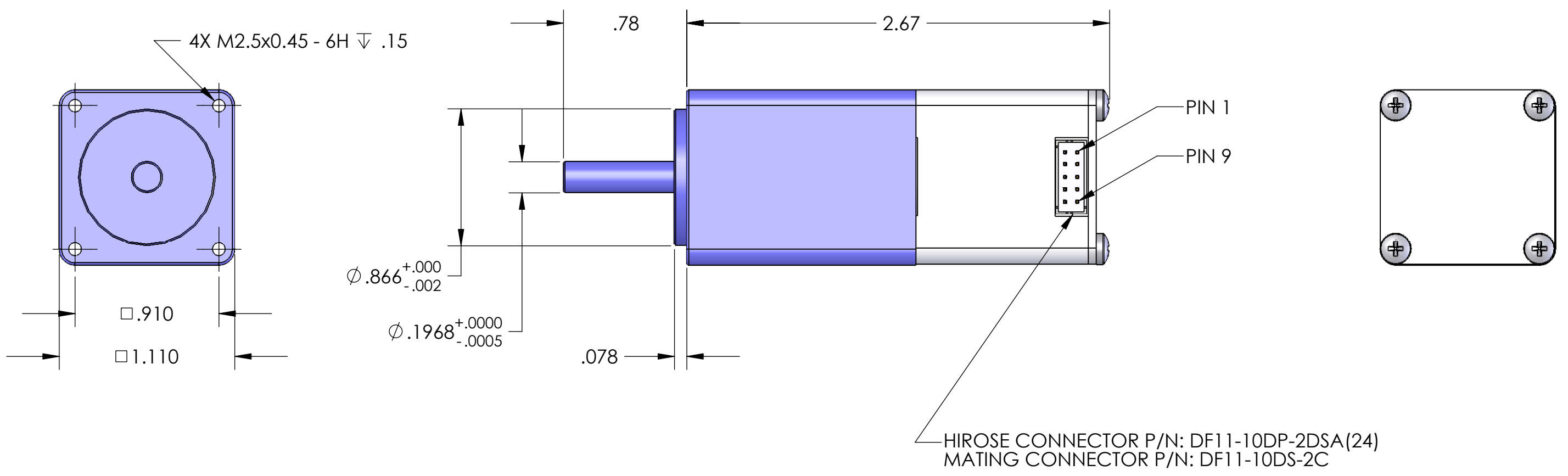
C

B

B

A

A



MOTOR PINOUT	
PIN	FUNCTION
1	+9 - +30 VDC (+V)
2	Ground (-V)
3	I/O #1 (Input 1 or Output 1)
4	Input (Input 3)
5	RS485 B
6	I/O #2 (Input 2 or Output 2)
7	RS485 A
8	Opto Sensor LED (Power OUT)
9	Input (Input 4)
10	N/C

PROPRIETARY AND CONFIDENTIAL
 THE INFORMATION CONTAINED IN THIS DRAWING IS THE SOLE PROPERTY OF USAUTOMATION ANY REPRODUCTION IN PART OR AS A WHOLE WITHOUT THE WRITTEN PERMISSION OF USAUTOMATION IS PROHIBITED.

		UNLESS OTHERWISE SPECIFIED:	NAME	DATE	 23011 MOULTON PARKWAY, SUITE J2 LAGUNA HILLS, CA 92653 949-588-0581
		DIMENSIONS ARE IN INCHES	DRAWN		
		TOLERANCES:	CHECKED		
		FRACTIONAL ±1/32	ENG APPR.		
		ANGULAR: MACH ±.5° BEND ±1°	MFG APPR.		TITLE: USA28-2202-X SIZE B DWG. NO. REV
		TWO PLACE DECIMAL ±.03	Q.A.		
		THREE PLACE DECIMAL ±.005	COMMENTS:		SCALE: 3:2 WEIGHT: SHEET 1 OF 1
		INTERPRET GEOMETRIC TOLERANCING PER:	BREAK ALL EDGES 0.025 MAX		
		MATERIAL			
		FINISH			
NEXT ASSY	USED ON				
APPLICATION		DO NOT SCALE DRAWING			